

Air injection Vacuum Blower

VTB 805.xl

Hibon Ingersoll Rand presents new state-of-the-art technology in three-lobe, positive displacement blowers. The VTB XL series air-injected, high-vacuum blowers offer a wide range of design features and incorporate energy efficiency improvements, complying with the strictest operational requirements of a variety of applications. These high-vacuum blowers are ideally suited for the rigorous demand of the vacuum truck market. Hibon is a worldwide leader in three-lobe positive displacement blower technology with thousands of units installed around the globe.

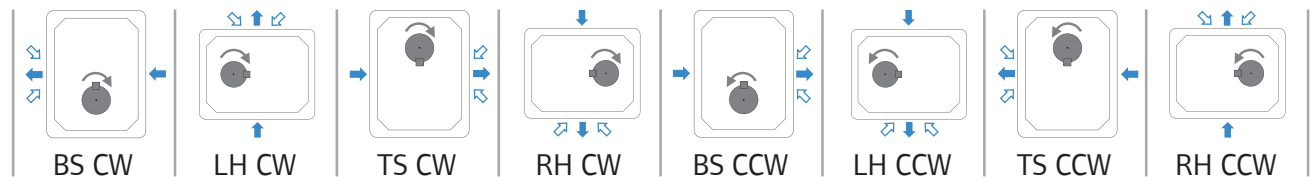
Characteristics

- Three-lobe impeller construction
- Unique air injection system
- Increased efficiency
- Clearances adjusted automatically during assembly
- Larger oil capacity
- High volume oil thrower
- High performance sealing arrangement using 4 piston rings

Benefits

- Quieter operation than two-lobe impeller construction
- Allows high vacuum including “dead end” operation without overheating
- No oil or water cooling system (100% oil free air)
- Requires less horsepower for the same performance
- Easier maintenance
- Runs cooler
- Better lubrication of bearings
- Less frequent oil changes

Configurations



Better by design

Configuration	With feet option	Without feet
BS CW	F0145701111	F014570111
LH CW	.	F014570101
TS CW	F0145701211	F014570121
RH CW	.	F014570131
BS CCW	F0145701101	F014570110
LH CCW	.	F014570100
TS CCW	F0145701201	F014570120
RH CCW	.	F014570130

- ↻ Shaft rotation
- ➡ Air flow
- ↻ Air injection
- RH = Right hand shaft
- LH = Left hand shaft
- BS = Bottom shaft
- TS = Top shaft
- CW = Clockwise rotation
- CCW = Counter clockwise rotation

Performance chart

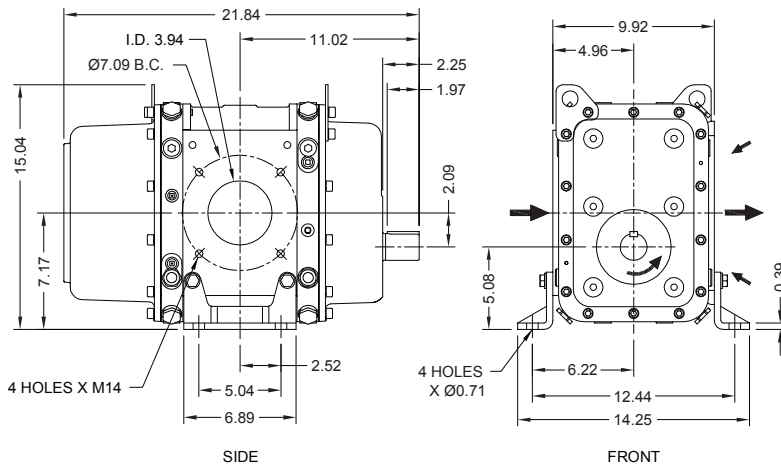
VOLUME DISPLACEMENT *(605 CFM)																
Speed (RPM)	9" HG		12" HG		15" HG		18" HG		21" HG		24" HG		26" HG		27" HG	
RPM	CFM	BHP	CFM	BHP	CFM	BHP	CFM	BHP	CFM	BHP	CFM	BHP	CFM	BHP	CFM	BHP
2600	262	7	250	9	226	11	203	13	171	15	67	17	-	-	-	-
2900	297	8	285	10	262	12	240	15	207	17	102	19	-	-	-	-
3200	332	9	320	11	299	14	277	16	243	19	137	21	29	24	-	-
3500	367	10	355	13	336	15	313	18	279	21	172	23	64	26	-	-
3800	402	11	391	14	372	17	350	20	315	23	207	26	100	28	-	-
4000	425	12	414	15	397	18	374	21	339	24	231	27	124	30	-	-
4200	448	13	437	16	421	19	399	22	363	25	254	28	148	32	13	33
4400	471	14	461	17	446	20	423	24	387	27	277	30	172	33	40	34
4600	495	14	484	18	470	21	448	25	411	28	301	31	195	35	67	36
4800	518	15	508	19	495	22	472	26	435	29	324	33	219	37	94	38

* Volume displacement at maximum speed.

VTB 805.XL Dimensions

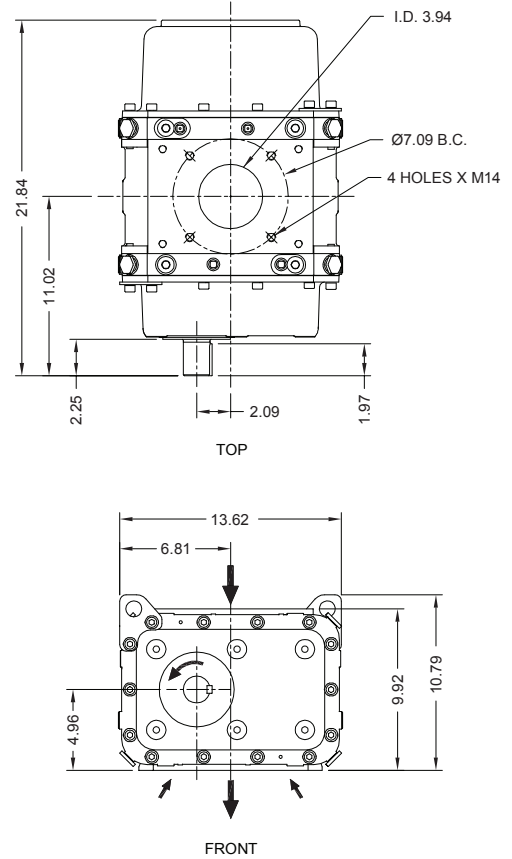
BS CCW Configuration

VERTICAL GEARS

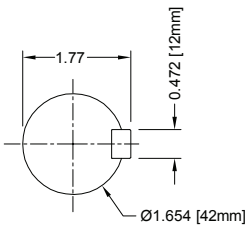


LH CCW Configuration

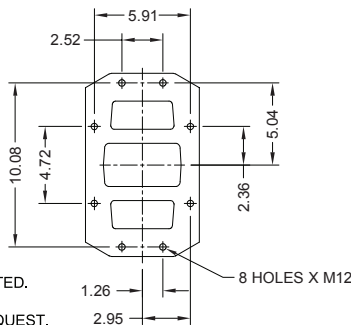
HORIZONTAL GEARS



SHAFT DETAILS



DISCHARGE FLANGE



- NOTES:
1. ENGLISH UNITS (INCH) UNLESS OTHERWISE NOTED.
 2. WEIGHT: 264 lbs.
 3. C.W. SHAFT ROTATION ALSO AVAILABLE ON REQUEST.
 4. DO NOT USE FOR CONSTRUCTION.
 5. Other configurations also available on request

Spare parts and accessories

Kit 1 - STANDARD MAINTENANCE KIT	Kit 2 - SET OF RING HOLDERS	Kit 3 - SET OF GEARS	MANIFOLD AND DISCHARGE/INJECTION MANIFOLD GASKETS	HIBON LUBE
Contains all parts required for 40 000 h. maintenance				

For more information about spares and accessories, contact your nearest Service Center or Ingersoll Rand - HIBON company.

Compressed Air Systems and Services
 Hibon Inc
 100 Voyageur Pointe Claire, Quebec
 Canada, H9R 6A8
 Tel: +1 514 631-3501
 Fax: +1 877 584 0307
 www.hibon.com www.ingersollrand.com

Ingersoll Rand (NYSE:IR) advances the quality of life by creating comfortable, sustainable and efficient environments. Our people and our family of brands—including Club Car®, Ingersoll Rand®, Thermo King® and Trane®—work together to enhance the quality and comfort of air in homes and buildings; transport and protect food and perishables; and increase industrial productivity and efficiency. We are a \$13 billion global business committed to a world of sustainable progress and enduring results.

ingersollrandproducts.com
 We are committed to using environmentally conscious print practices

Ingersoll Rand Air Solutions Hibon®
 2 avenue Jean-Paul Sartre, 59290 WASQUEHAL France
 Tel: +33 (0)3 20 45 39 39
 Fax: +33 (0)3 20 45 39 20 (Fax Service)
 www.hibon.com www.ingersollrand.com
 email : hibon@irco.com

