

# Air injection Vacuum Blower VTB 807.xl

Hibon Ingersoll Rand presents new state-of-the-art technology in three-lobe, positive displacement blowers. The VTB XL series air-injected, high-vacuum blowers offer a wide range of design features and incorporate energy efficiency improvements, complying with the strictest operational requirements of a variety of applications. These high-vacuum blowers are ideally suited for the rigorous demand of the vacuum truck market. Hibon is a worldwide leader in three-lobe positive displacement blower technology with thousands of units installed around the globe.

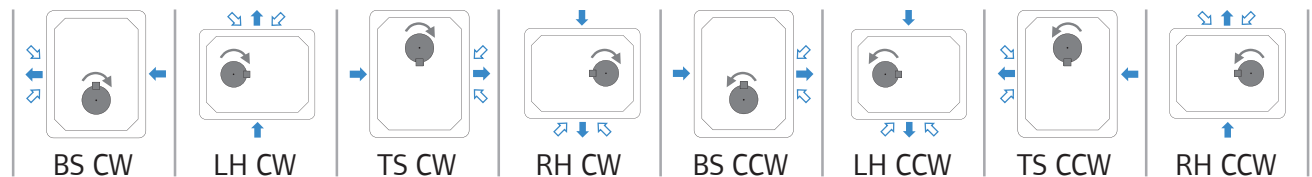
## Characteristics

- Three-lobe impeller construction
- Unique air injection system
- Increased efficiency
- Clearances adjusted automatically during assembly
- Larger oil capacity
- High volume oil thrower
- High performance sealing arrangement using 4 piston rings

## Benefits

- Quieter operation than two-lobe impeller construction
- Allows high vacuum including “dead end” operation without overheating
- No oil or water cooling system (100% oil free air)
- Requires less horsepower for the same performance
- Easier maintenance
- Runs cooler
- Better lubrication of bearings
- Less frequent oil changes

## Configurations



## Better by design

| Configuration | With feet option | Without feet |
|---------------|------------------|--------------|
| BS CW         | F0146901111      | F014690111   |
| LH CW         | .                | F014690101   |
| TS CW         | F0146901211      | F014690121   |
| RH CW         | .                | F014690131   |
| BS CCW        | F0146901101      | F014690110   |
| LH CCW        | .                | F014690100   |
| TS CCW        | F0146901201      | F014690120   |
| RH CCW        | .                | F014690130   |

- ↻ Shaft rotation
- ➡ Air flow
- ↻ Air injection
- RH = Right hand shaft
- LH = Left hand shaft
- BS = Bottom shaft
- TS = Top shaft
- CW = Clockwise rotation
- CCW = Counter clockwise rotation

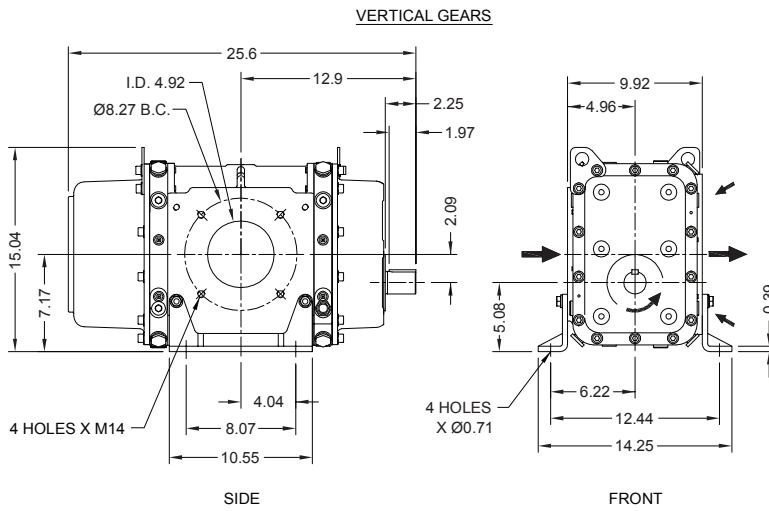
## Performance chart

| VOLUME DISPLACEMENT *( 942 CFM ) |       |     |        |     |        |     |        |     |        |     |        |     |        |     |        |     |
|----------------------------------|-------|-----|--------|-----|--------|-----|--------|-----|--------|-----|--------|-----|--------|-----|--------|-----|
| Speed (RPM)                      | 9" HG |     | 12" HG |     | 15" HG |     | 18" HG |     | 21" HG |     | 24" HG |     | 26" HG |     | 27" HG |     |
|                                  | CFM   | BHP | CFM    | BHP | CFM    | BHP | CFM    | BHP | CFM    | BHP | CFM    | BHP | CFM    | BHP | CFM    | BHP |
| 2600                             | 409   | 10  | 389    | 13  | 352    | 17  | 317    | 20  | 266    | 24  | 104    | 26  | -      | -   | -      | -   |
| 2900                             | 463   | 12  | 444    | 16  | 409    | 19  | 374    | 23  | 322    | 27  | 159    | 30  | -      | -   | -      | -   |
| 3200                             | 518   | 14  | 499    | 18  | 466    | 22  | 431    | 26  | 379    | 30  | 214    | 33  | 44     | 37  | -      | -   |
| 3500                             | 572   | 16  | 554    | 20  | 523    | 24  | 488    | 28  | 435    | 33  | 268    | 36  | 100    | 40  | -      | -   |
| 3800                             | 626   | 18  | 609    | 22  | 580    | 26  | 545    | 31  | 491    | 36  | 323    | 40  | 156    | 44  | -      | -   |
| 4000                             | 662   | 19  | 645    | 24  | 619    | 28  | 583    | 33  | 529    | 38  | 359    | 42  | 193    | 47  | -      | -   |
| 4200                             | 699   | 20  | 682    | 25  | 657    | 30  | 622    | 35  | 566    | 40  | 396    | 44  | 230    | 49  | 21     | 51  |
| 4400                             | 735   | 21  | 719    | 27  | 695    | 31  | 660    | 37  | 604    | 42  | 432    | 46  | 267    | 52  | 63     | 54  |
| 4600                             | 771   | 22  | 755    | 28  | 733    | 33  | 698    | 38  | 641    | 43  | 469    | 49  | 305    | 55  | 105    | 56  |
| 4800                             | 807   | 24  | 792    | 30  | 771    | 34  | 736    | 40  | 679    | 45  | 505    | 51  | 342    | 57  | 147    | 59  |

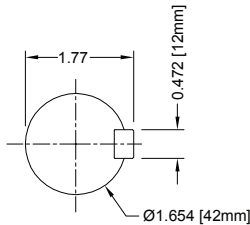
\* Volume displacement at maximum speed.

## VTB 807.XL Dimensions

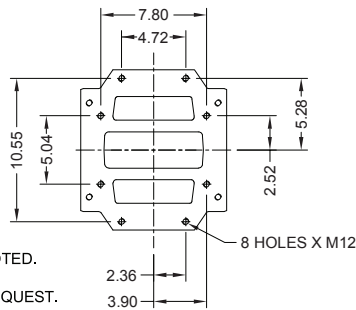
### BS CCW Configuration



#### SHAFT DETAILS

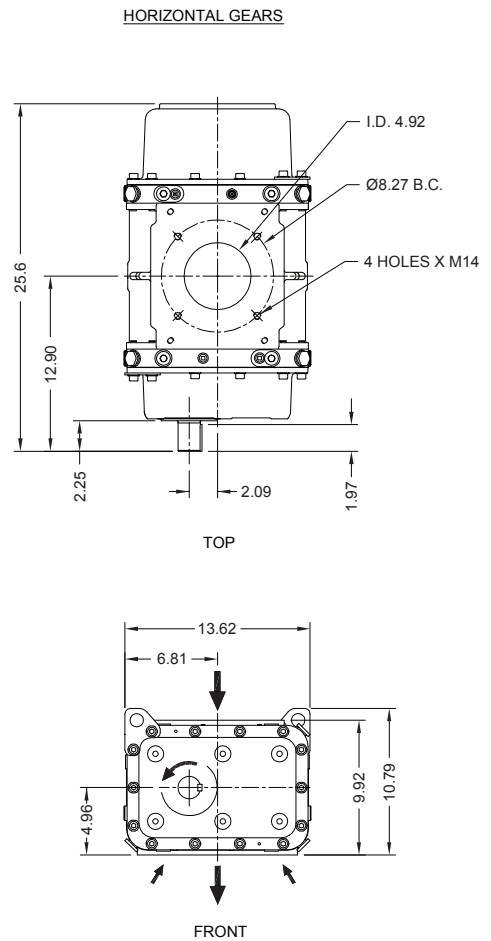


#### DISCHARGE FLANGE



- NOTES:
1. ENGLISH UNITS (INCH) UNLESS OTHERWISE NOTED.
  2. WEIGHT: 344 lbs.
  3. C.W. SHAFT ROTATION ALSO AVAILABLE ON REQUEST.
  4. DO NOT USE FOR CONSTRUCTION.
  5. Other configurations also available on request

### LH CCW Configuration



## Spare parts and accessories

| Kit 1 - STANDARD MAINTENANCE KIT                             | Kit 2 - SET OF RING HOLDERS | Kit 3 - SET OF GEARS | MANIFOLD AND DISCHARGE/INJECTION MANIFOLD GASKETS | HIBON LUBE |
|--|-----------------------------|----------------------|---|------------|
| <p>Contains all parts required for 40 000 h. maintenance</p> |                             |                      |   |            |

For more information about spares and accessories, contact your nearest Service Center or Ingersoll Rand - HIBON company.

Compressed Air Systems and Services  
 Hibon Inc  
 100 Voyageur Pointe Claire, Quebec  
 Canada, H9R 6A8  
 Tel: +1 514 631-3501  
 Fax: +1 877 584 0307  
 www.hibon.com www.ingersollrand.com

Ingersoll Rand (NYSE:IR) advances the quality of life by creating comfortable, sustainable and efficient environments. Our people and our family of brands—including Club Car®, Ingersoll Rand®, Thermo King® and Trane®—work together to enhance the quality and comfort of air in homes and buildings; transport and protect food and perishables; and increase industrial productivity and efficiency. We are a \$13 billion global business committed to a world of sustainable progress and enduring results.

ingersollrandproducts.com  
 We are committed to using environmentally conscious print practices

Ingersoll Rand Air Solutions Hibon®  
 2 avenue Jean-Paul Sartre, 59290 WASQUEHAL France  
 Tel: +33 (0)3 20 45 39 39  
 Fax: +33 (0)3 20 45 39 20 (Fax Service)  
 www.hibon.com www.ingersollrand.com  
 email : hibon@irco.com



©2018 Ingersoll-Rand Company