

Air injection Vacuum Blower

VTB 810.XL

Hibon Ingersoll Rand presents new state-of-the-art technology in three-lobe, positive displacement blowers. The VTB XL series air-injected, high-vacuum blowers offer a wide range of design features and incorporate energy efficiency improvements, complying with the strictest operational requirements of a variety of applications. These high-vacuum blowers are ideally suited for the rigorous demand of the vacuum truck market. Hibon is a worldwide leader in three-lobe positive displacement blower technology with thousands of units installed around the globe.

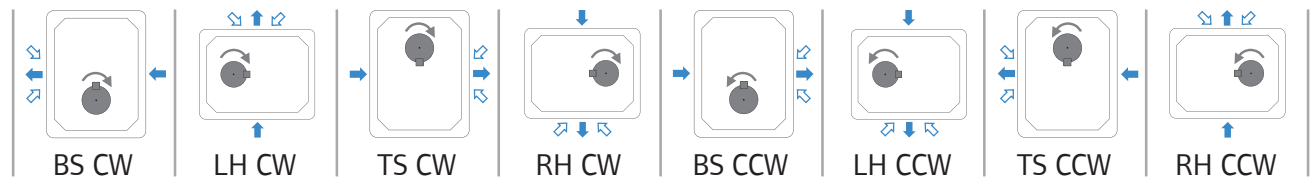
Characteristics

- Three-lobe impeller construction
- Unique air injection system
- Increased efficiency
- Clearances adjusted automatically during assembly
- Larger oil capacity
- High volume oil thrower
- High performance sealing arrangement using 4 piston rings

Benefits

- Quieter operation than two-lobe impeller construction
- Allows high vacuum including “dead end” operation without overheating
- No oil or water cooling system (100% oil free air)
- Requires less horsepower for the same performance
- Easier maintenance
- Runs cooler
- Better lubrication of bearings
- Less frequent oil changes

Configurations



Better by design

Configuration	With feet option	Without feet
BS CW	F0156901111	F015690111
LH CW	.	F015690101
TS CW	F0156901211	F015690121
RH CW	.	F015690131
BS CCW	F0156901101	F015690110
LH CCW	.	F015690100
TS CCW	F0156901201	F015690120
RH CCW	.	F015690130

- ↻ Shaft rotation
- ➡ Air flow
- ↻ Air injection
- RH = Right hand shaft
- LH = Left hand shaft
- BS = Bottom shaft
- TS = Top shaft
- CW = Clockwise rotation
- CCW = Counter clockwise rotation

Performance chart

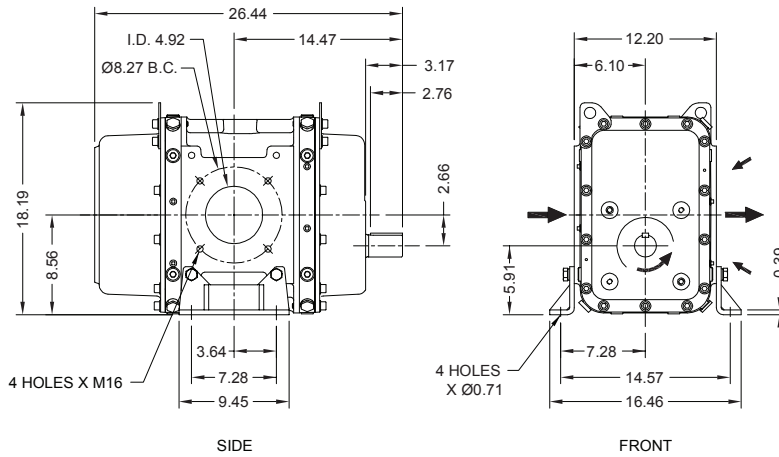
Speed (RPM)	VOLUME DISPLACEMENT *(1119 CFM)													
	9" HG		12" HG		15" HG		18" HG		21" HG		24" HG		27" HG	
	CFM	BHP	CFM	BHP	CFM	BHP	CFM	BHP	CFM	BHP	CFM	BHP	CFM	BHP
2200	573	15	558	18	535	21	503	25	458	29	336	33	97	37
2600	700	18	686	22	665	26	634	31	593	35	478	39	231	44
2800	764	19	750	24	731	28	699	33	661	38	548	42	298	48
3000	827	21	814	26	796	30	765	36	729	41	619	46	365	52
3200	891	22	878	28	861	32	830	39	797	44	690	49	432	56
3400	955	24	942	30	927	35	896	42	864	47	760	53	499	60
3600	1019	26	1007	32	992	38	961	45	932	51	831	56	566	63
3800	1082	28	1071	35	1057	40	1027	49	1000	54	902	60	-	-

* Volume displacement at maximum speed.

VTB 810.XL Dimensions

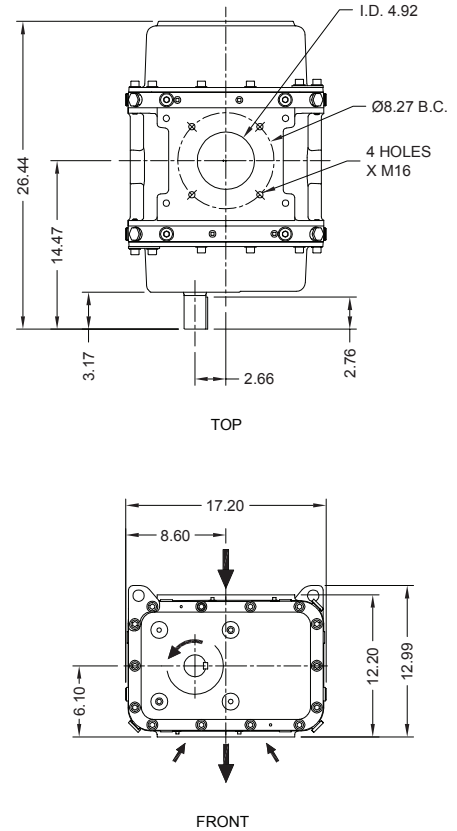
BS CCW Configuration

VERTICAL GEARS

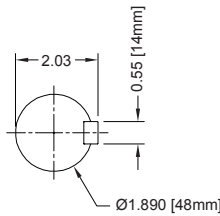


LH CCW Configuration

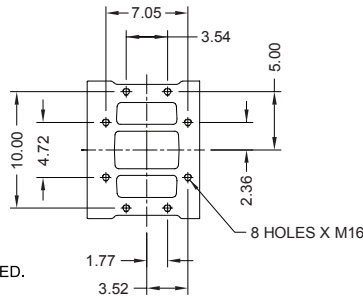
HORIZONTAL GEARS



SHAFT DETAILS



DISCHARGE FLANGE



- NOTES:
1. ENGLISH UNITS (INCH) UNLESS OTHERWISE NOTED.
 2. WEIGHT: 470 lbs.
 3. C.W. SHAFT ROTATION ALSO AVAILABLE ON REQUEST.
 4. DO NOT USE FOR CONSTRUCTION.
 5. Other configurations also available on request

Spare parts and accessories

Kit 1 - STANDARD MAINTENANCE KIT	Kit 2 - SET OF RING HOLDERS	Kit 3 - SET OF GEARS	MANIFOLD AND DISCHARGE/INJECTION MANIFOLD GASKETS	HIBON LUBE
Contains all parts required for 40 000 h. maintenance				

For more information about spares and accessories, contact your nearest Service Center or Ingersoll Rand - HIBON company.

Compressed Air Systems and Services

Hibon Inc
100 Voyageur Pointe Claire, Quebec
Canada, H9R 6A8
Tel: +1 514 631-3501
Fax: +1 877 584 0307
www.hibon.com www.ingersollrand.com

Ingersoll Rand (NYSE:IR) advances the quality of life by creating comfortable, sustainable and efficient environments. Our people and our family of brands—including Club Car®, Ingersoll Rand®, Thermo King® and Trane®—work together to enhance the quality and comfort of air in homes and buildings; transport and protect food and perishables; and increase industrial productivity and efficiency. We are a \$13 billion global business committed to a world of sustainable progress and enduring results.

ingersollrandproducts.com
We are committed to using environmentally conscious print practices

Ingersoll Rand Air Solutions Hibon®
2 avenue Jean-Paul Sartre, 59290 WASQUEHAL France
Tel: +33 (0)3 20 45 39 39
Fax: +33 (0)3 20 45 39 20 (Fax Service)
www.hibon.com www.ingersollrand.com
email : hibon@irco.com



©2018 Ingersoll-Rand Company