

Air injection Vacuum Blower

VTB822.xl

Hibon Ingersoll Rand presents new state-of-the-art technology in three-lobe, positive displacement blowers. The VTB XL series air-injected, high-vacuum blowers offer a wide range of design features and incorporate energy efficiency improvements, complying with the strictest operational requirements of a variety of applications. These high-vacuum blowers are ideally suited for the rigorous demand of the vacuum truck market. Hibon is a worldwide leader in three-lobe positive displacement blower technology with thousands of units installed around the globe.

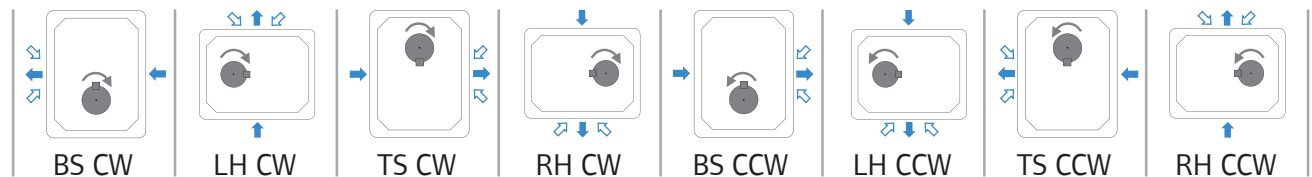
Characteristics

- Three-lobe impeller construction
- Unique air injection system
- Increased efficiency
- Clearances adjusted automatically during assembly
- Larger oil capacity
- High volume oil thrower
- High performance sealing arrangement using 4 piston rings

Benefits

- Quieter operation than two-lobe impeller construction
- Allows high vacuum including “dead end” operation without overheating
- No oil or water cooling system (100% oil free air)
- Requires less horsepower for the same performance
- Easier maintenance
- Runs cooler
- Better lubrication of bearings
- Less frequent oil changes

Configurations



Better by design

Configuration	With feet option	Without feet
BS CW	F0165701111	F016570111
LH CW	.	F016570101
TS CW	F0165701211	F016570121
RH CW	.	F016570131
BS CCW	F0165701101	F016570110
LH CCW	.	F016570100
TS CCW	F0165701201	F016570120
RH CCW	.	F016570130

- ↻ Shaft rotation
- ➡ Air flow
- ⇄ Air injection
- RH = Right hand shaft
- LH = Left hand shaft
- BS = Bottom shaft
- TS = Top shaft
- CW = Clockwise rotation
- CCW = Counter clockwise rotation

Performance chart

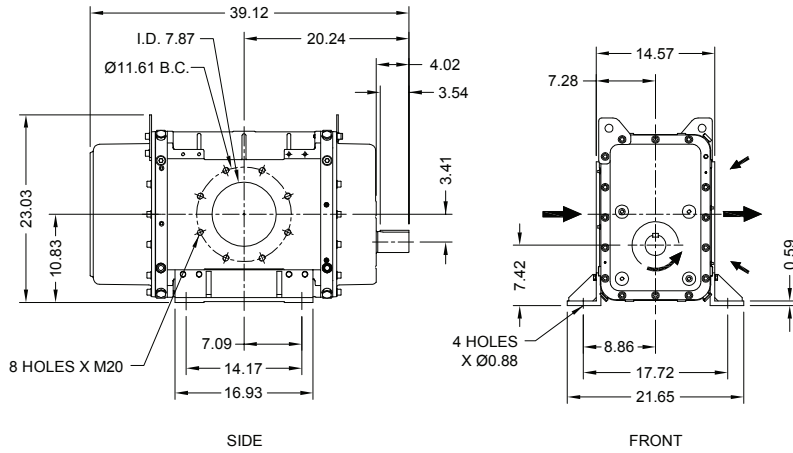
Speed (RPM)	VOLUME DISPLACEMENT * (2729 CFM)													
	9" HG		12" HG		15" HG		18" HG		21" HG		24" HG		27" HG	
	CFM	BHP	CFM	BHP	CFM	BHP	CFM	BHP	CFM	BHP	CFM	BHP	CFM	BHP
1600	1241	30	1178	38	1136	48	1050	58	907	67	691	77	452	86
1800	1426	34	1363	43	1316	54	1231	65	1090	75	856	86	582	97
2000	1610	37	1548	48	1496	60	1412	72	1273	84	1021	96	711	108
2200	1795	41	1733	53	1676	66	1593	79	1456	92	1186	105	841	119
2400	1979	45	1918	58	1855	72	1773	86	1639	101	1351	115	970	129
2600	2164	49	2103	62	2035	78	1954	93	1822	109	1515	125	1100	140
2800	2348	52	2288	67	2215	84	2135	101	2005	117	1680	134	1229	151
3000	2533	56	2473	72	2395	90	2316	108	2188	126	1845	144	1358	162

* Volume displacement at maximum speed.

VTB 822.XL Dimensions

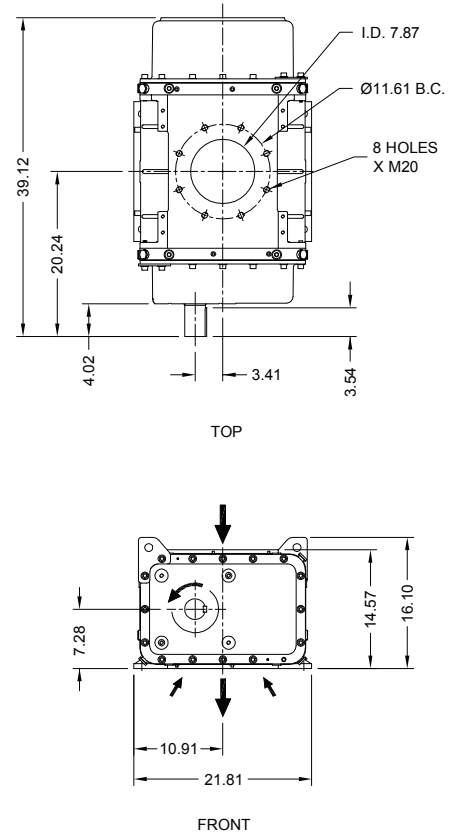
Configuration BS CCW

VERTICAL GEARS

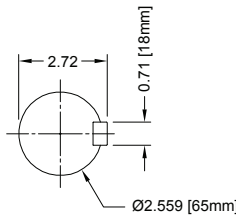


Configuration LH CCW

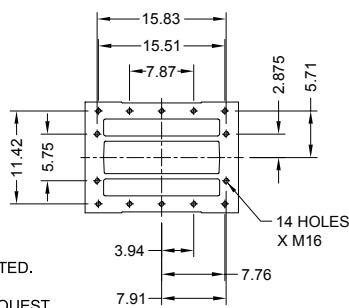
HORIZONTAL GEARS



SHAFT DETAILS



DISCHARGE FLANGE



- NOTES:
1. ENGLISH UNITS (INCH) UNLESS OTHERWISE NOTED.
 2. WEIGHT: 1120 lbs.
 3. C.W. SHAFT ROTATION ALSO AVAILABLE ON REQUEST.
 4. DO NOT USE FOR CONSTRUCTION.
 5. Other configurations also available on request

Spare parts and accessories

Kit 1 - STANDARD MAINTENANCE KIT	Kit 2 - SET OF RING HOLDERS	Kit 3 - SET OF GEARS	MANIFOLD AND DISCHARGE/INJECTION MANIFOLD GASKETS	HIBON LUBE
Contains all parts required for 40 000 h. maintenance				

For more information about spares and accessories, contact your nearest Service Center or Ingersoll Rand - HIBON company.

Compressed Air Systems and Services
 Higon Inc
 100 Voyageur Pointe Claire, Quebec
 Canada, H9R 6A8
 Tel: +1 514 631-3501
 Fax: +1 877 584 0307
 www.higon.com www.ingersollrand.com

Ingersoll Rand (NYSE:IR) advances the quality of life by creating comfortable, sustainable and efficient environments. Our people and our family of brands—including Club Car®, Ingersoll Rand®, Thermo King® and Trane®—work together to enhance the quality and comfort of air in homes and buildings; transport and protect food and perishables; and increase industrial productivity and efficiency. We are a \$13 billion global business committed to a world of sustainable progress and enduring results.

ingersollrandproducts.com
 We are committed to using environmentally conscious print practices

Ingersoll Rand Air Solutions Higon®
 2 avenue Jean-Paul Sartre, 59290 WASQUEHAL France
 Tel: +33 (0)3 20 45 39 39
 Fax: +33 (0)3 20 45 39 20 (Fax Service)
 www.higon.com www.ingersollrand.com
 email : higon@irco.com



©2018 Ingersoll-Rand Company