

# Air injection Vacuum Blower

## VTB 840.XL

Hibon Ingersoll Rand presents new state-of-the-art technology in three-lobe, positive displacement blowers. The VTB XL series air-injected, high-vacuum blowers offer a wide range of design features and incorporate energy efficiency improvements, complying with the strictest operational requirements of a variety of applications. These high-vacuum blowers are ideally suited for the rigorous demand of the vacuum truck market. Hibon is a worldwide leader in three-lobe positive displacement blower technology with thousands of units installed around the globe.

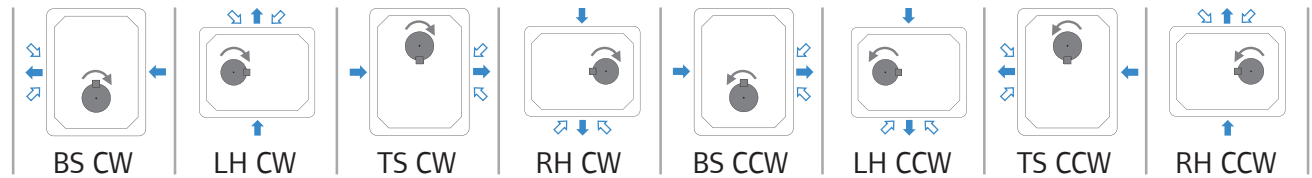
### Characteristics

- Three-lobe impeller construction
- Unique air injection system
- Increased efficiency
- Clearances adjusted automatically during assembly
- Larger oil capacity
- High volume oil thrower
- High performance sealing arrangement using 4 piston rings

### Benefits

- Quieter operation than two-lobe impeller construction
- Allows high vacuum including "dead end" operation without overheating
- No oil or water cooling system (100% oil free air)
- Requires less horsepower for the same performance
- Easier maintenance
- Runs cooler
- Better lubrication of bearings
- Less frequent oil changes

### Configurations



### Better by design

- ↻ Shaft rotation
- ➡ Air flow
- ↻ Air injection
- RH = Right hand shaft
- LH = Left hand shaft
- BS = Bottom shaft
- TS = Top shaft
- CW = Clockwise rotation
- CCW = Counter clockwise rotation

| Configuration | With feet option | Without feet |
|---------------|------------------|--------------|
| BS CW         | .                | F017570111   |
| LH CW         | .                | F017570101   |
| TS CW         | .                | F017570121   |
| RH CW         | .                | F017570131   |
| BS CCW        | .                | F017570110   |
| LH CCW        | .                | F017570100   |
| TS CCW        | .                | F017570120   |
| RH CCW        | .                | F017570130   |

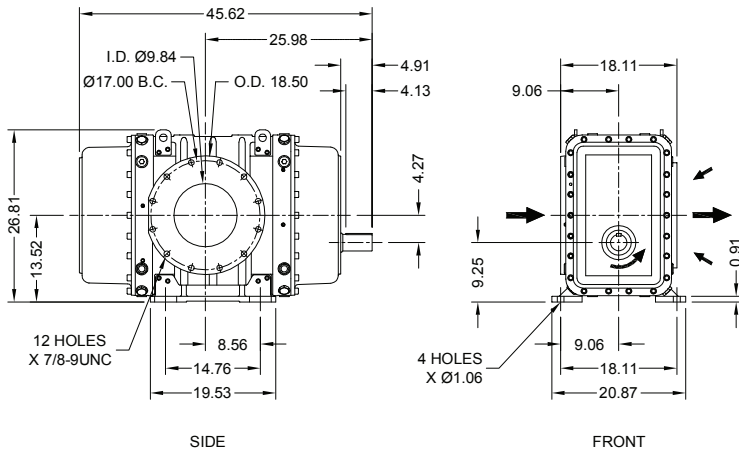
### Performance chart

| Speed (RPM) | VOLUME DISPLACEMENT *( 4000 CFM ) |     |        |     |        |     |        |     |        |     |        |     |        |     |        |     |
|-------------|-----------------------------------|-----|--------|-----|--------|-----|--------|-----|--------|-----|--------|-----|--------|-----|--------|-----|
|             | 9" HG                             |     | 12" HG |     | 15" HG |     | 18" HG |     | 21" HG |     | 24" HG |     | 27" HG |     | 28" HG |     |
| RPM         | CFM                               | BHP | CFM    | BHP | CFM    | BHP | CFM    | BHP | CFM    | BHP | CFM    | BHP | CFM    | BHP | CFM    | BHP |
| 1000        | 1280                              | 32  | 1211   | 41  | 1121   | 51  | 989    | 62  | 771    | 72  | 370    | 82  | -      | -   |        |     |
| 1200        | 1592                              | 38  | 1524   | 49  | 1437   | 62  | 1308   | 74  | 1096   | 86  | 705    | 98  | -      | -   |        |     |
| 1400        | 1903                              | 44  | 1839   | 57  | 1753   | 72  | 1628   | 86  | 1421   | 100 | 1040   | 115 | 177    | 129 |        |     |
| 1600        | 2215                              | 51  | 2152   | 66  | 2069   | 82  | 1947   | 98  | 1746   | 115 | 1375   | 131 | 535    | 148 |        |     |
| 1800        | 2527                              | 57  | 2466   | 74  | 2386   | 92  | 2267   | 111 | 2071   | 129 | 1710   | 148 | 893    | 166 |        |     |
| 2000        | 2839                              | 63  | 2780   | 82  | 2702   | 103 | 2586   | 123 | 2396   | 143 | 2045   | 164 | 1251   | 185 |        |     |
| 2200        | 3151                              | 70  | 3094   | 90  | 3018   | 113 | 2905   | 135 | 2720   | 158 | 2380   | 181 | 1610   | 202 |        |     |
| 2400        | 3463                              | 76  | 3407   | 98  | 3334   | 123 | 3225   | 148 | 3045   | 172 | 2715   | 197 | 1968   | 221 |        |     |
| 2600        | 3752                              | 82  | 3709   | 107 | 3642   | 133 | 3544   | 160 | 3361   | 187 | 3034   | 213 | -      | -   | BO     | 248 |

# VTB 840.XL Dimensions

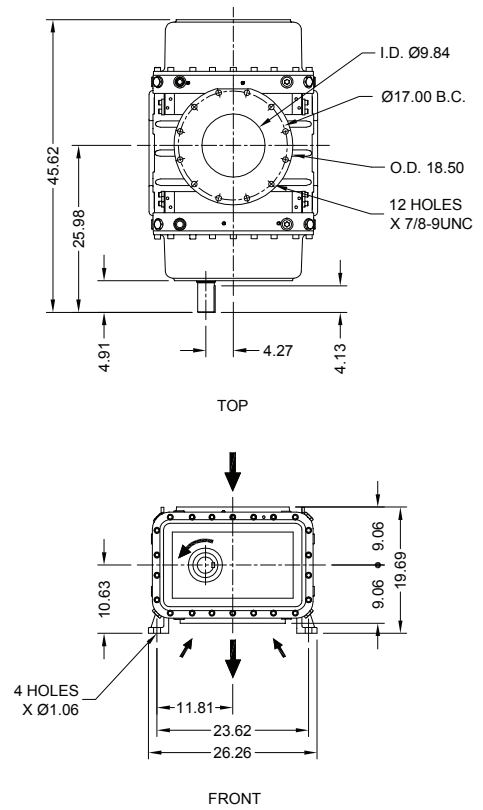
## Configuration BS CCW

VERTICAL GEARS

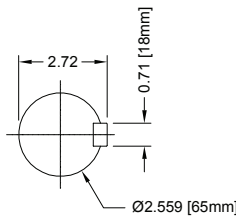


## Configuration LH CCW

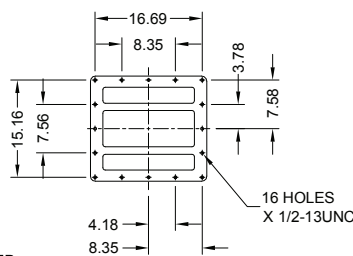
HORIZONTAL GEARS



### SHAFT DETAILS



### DISCHARGE FLANGE



- NOTES:  
 1. ENGLISH UNITS (INCH) UNLESS OTHERWISE NOTED.  
 2. WEIGHT: 1708 lbs.  
 3. C.W. SHAFT ROTATION ALSO AVAILABLE ON REQUEST.  
 4. DO NOT USE FOR CONSTRUCTION.  
 5. Other configurations also available on request

## Spare parts and accessories

| Kit 1 - STANDARD MAINTENANCE KIT                      | Kit 2 - SET OF RING HOLDERS | Kit 3 - SET OF GEARS | MANIFOLD AND DISCHARGE/INJECTION MANIFOLD GASKETS | HIBON LUBE |
|---|-----------------------------|----------------------|---|------------|
| Contains all parts required for 40 000 h. maintenance |                             |                      |   |            |
|   |                             |                      |   |            |

For more information about spares and accessories, contact your nearest Service Center or Ingersoll Rand - HIBON company.

Compressed Air Systems and Services  
 Hibon Inc  
 100 Voyageur Pointe Claire, Quebec  
 Canada, H9R 6A8  
 Tel: +1 514 631-3501  
 Fax: +1 877 584 0307  
 www.hibon.com www.ingersollrand.com

Ingersoll Rand (NYSE:IR) advances the quality of life by creating comfortable, sustainable and efficient environments. Our people and our family of brands—including Club Car®, Ingersoll Rand®, Thermo King® and Trane®—work together to enhance the quality and comfort of air in homes and buildings; transport and protect food and perishables; and increase industrial productivity and efficiency. We are a \$13 billion global business committed to a world of sustainable progress and enduring results.

ingersollrandproducts.com  
 We are committed to using environmentally conscious print practices

Ingersoll Rand Air Solutions Hibon®  
 2 avenue Jean-Paul Sartre, 59290 WASQUEHAL France  
 Tel: +33 (0)3 20 45 39 39  
 Fax: +33 (0)3 20 45 39 20 (Fax Service)  
 www.hibon.com www.ingersollrand.com  
 email : hibon@irco.com

