



PRESSURE & VACUUM
SOLUTIONS



HIBON SIAV 8702 VACUUM / PRESSURE OFF-LOADING PACKAGE

Hibon SIAV 8702 blower package provides proven performance, now in a complete 5250 cfm / 28"hg plug and play system solution.



EASY
TO INSTALL



BEST
IN CLASS



SIMPLE TO
OPERATE & MAINTAIN

MARKET LEADING **THREE-LOBE** POSITIVE DISPLACEMENT TECHNOLOGY

Hibon SIAV 8702 5250 cfm / 28”hg vacuum blower package offers design and energy efficient features that can be used in various applications.

This compact vacuum or pressure off-loading package is ideally suited for the rigorous demands of hydro-excavation, daylighting, industrial vacuuming and grit recycling applications.

FEATURES

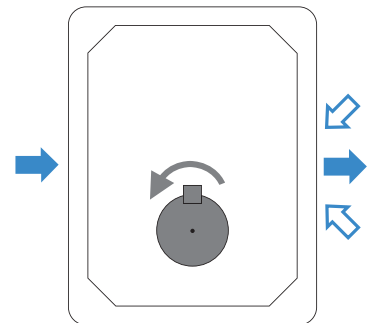
BENEFITS

- | | |
|--|---|
| + HIBON SIAV 8702 / 5250 CFM - 28”hg THREE-LOBE IMPELLER CONSTRUCTION | Best in class performance delivering more CFM and cooler operation. |
| + HIBON NEW “V” MANIFOLD DESIGN | Delivers a more compact package. |
| + SUPPORT FRAME, SILENCER SUPPORTS & LIFTING LUGS | Smaller footprint, more compact, more robust and simple installation. |
| + UNIQUE EXHAUST & AIR INJECTION SILENCERS | Superior attenuation than conventional silencers. |
| + VIBRATION ISOLATION PADS | Prevents vibration transfer between chassis and blower package. |



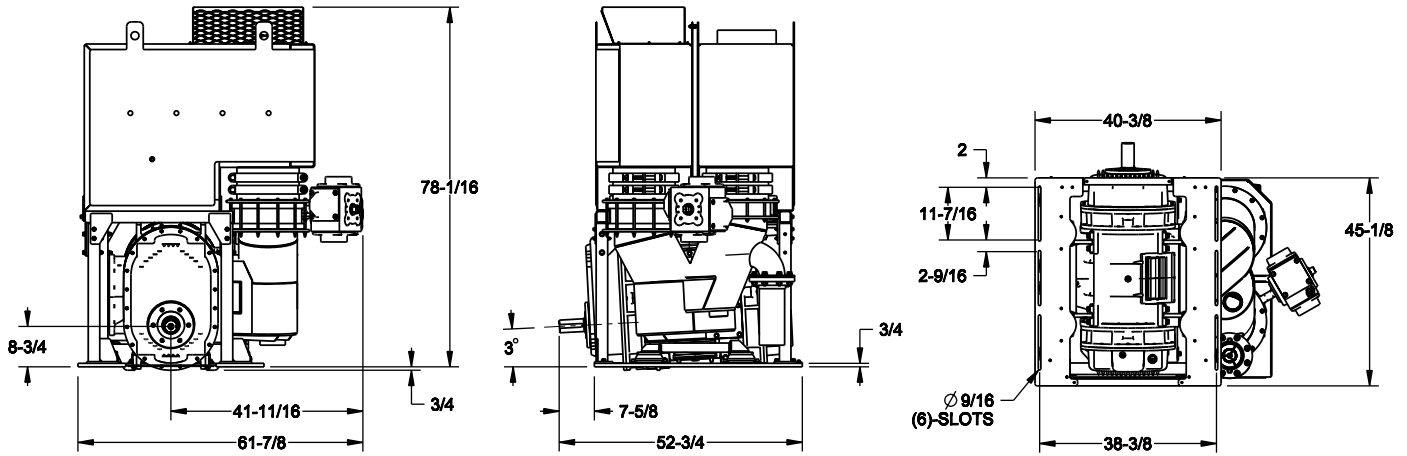
CONFIGURATION BS CCW

- SHAFT ROTATION
- AIR FLOW
- AIR INJECTION



DIMENSIONS & COMPONENTS

IMPERIAL



- SIAV 8702 Vacuum Blower
- Compact Manifold
- Hibon Pressure Relief Valve NP Series
- Hibon Support Frame
- Vibration Isolation Pads
- Check Valve
- Discharge Silencer
- Vent Hood
- Flexible Connectors
- Air Injection Silencer

**WEIGHT:
5300 LBS**

SIAV 8702

AIR INJECTION VACUUM BLOWER

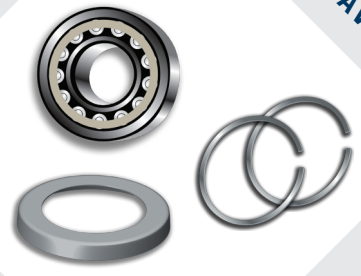
PERFORMANCE CHART

VOLUME DISPLACEMENT (5250 CFM)*

SPEED (RPM)	6" HG		9" HG		12" HG		15" HG		18" HG		21" HG		27" HG		28" HG	
	CFM	BHP	CFM	BHP	CFM	BHP	CFM	BHP	CFM	BHP	CFM	BHP	CFM	BHP	CFM	BHP
800	1846	30	1781	42	1714	54	1639	68	1531	81	1345	94	BO	120		
1200	2873	45	2809	63	2742	81	2666	130	2558	121	2372	140	886	181		
1400	3387	52	3322	73	3255	95	3180	120	3072	142	2886	164	1400	211		
1600	3900	60	3836	84	3769	108	3693	137	3585	162	3400	187	1913	241		
1800	4414	67	4350	94	4283	122	4207	154	4099	182	3913	211	2427	271		
2000	4927	74	4863	105	4796	135	4721	171	4613	202	4427	234	2940	300	BO	311

* Volume displacement at maximum speed. BO = Blanked off. For pressure performance consult factory.

BEARINGS, PISTON
RINGS & SHAFT SEALS



AVAILABLE SPARE PARTS:

GASKETS & SIGHT GLASS



HIBON LUBE 1L/QUART



hibon®

www.hibon.com

**Compressed Air Systems
& Services Hibon, Inc.**

100 Voyageur
Pointe Claire Quebec
Canada H9R 6A8
www.hibon.com

©2023 Compressed Air Systems & Services Hibon, Inc.
All Rights Reserved. Printed in U.S.A.
HIB-TRUCK-SIAV-8702 1st Ed. 12/23

 Please recycle after use.