

NX26

NX series blowers due to their innovative design offer many advantages to the end user. The NX series blowers can be used as a direct replacement for most SN series blowers allowing a simple upgrade solution while minimizing downtime.

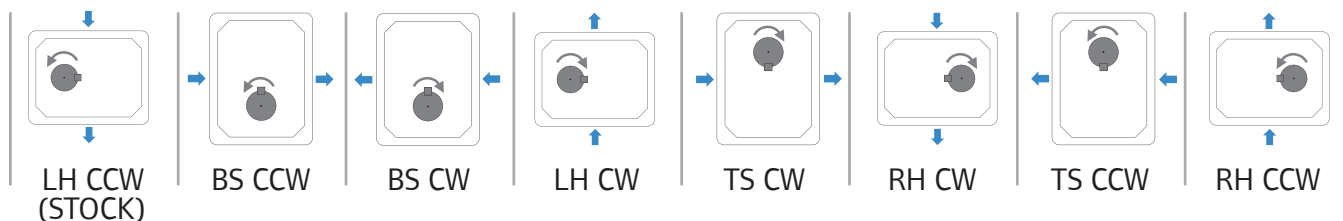
NX series features

- Three lobe impellers
- Drop-in replacement of the SN series blowers
- Pre-set internal clearances
- Large capacity oil sump
- High flow oil thrower disc
- Set of standardized spare parts

Benefits

- Reliability and durability
- Ease of maintenance and pre-set clearances for reassembly
- Efficient Design, lower discharge temperatures
- Better bearing lubrication
- Less frequent oil changes

Configurations



Configuration	With feet option	Without feet
LH CCW	F0161 701 001	F0161 701 00
BS CCW	F0161 701 101	F0161 701 10
BS CW	F0161 701 111	F0161 701 11
LH CW	F0161 701 011	F0161 701 01
TS CW	F0161 701 211	F0161 701 21
RH CW	F0161 701 311	F0161 701 31
TS CCW	F0161 701 201	F0161 701 20
RH CCW	F0161 701 301	F0161 701 30

- ↻ Shaft rotation
- ➡ Air flow
- RH = Right hand shaft
- LH = Left hand shaft
- BS = Bottom shaft
- TS = Top shaft
- CW = Clockwise rotation
- CCW = Counter clockwise rotation

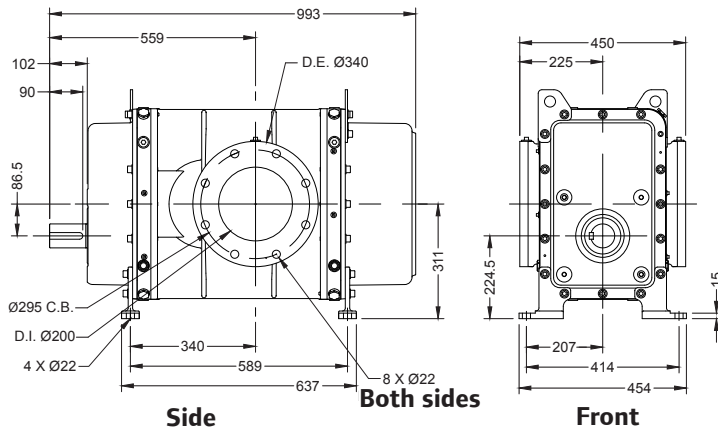
Performance chart

20 °C / 36%RH / 1013.25 Mbar

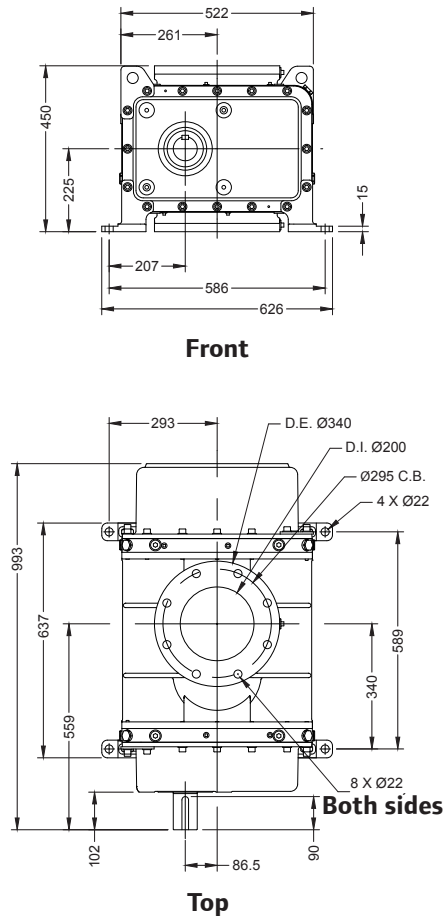
Speed (rpm)	PRESSURE (MB)									
	200		400		600		800		1 000	
	M ³ /h	KW	M ³ /h	KW	M ³ /h	KW	M ³ /h	KW	M ³ /h	KW
750	910	9,1	807	13,6	728	20,5	661	27,3	603	34,1
1000	1276	12,1	1165	18,2	1080	27,3	1008	36,4	944	45,5
1250	1643	15,1	1523	22,7	1431	34,1	1354	45,5	1285	56,9
1500	2009	18,1	1881	27,3	1783	40,9	1700	54,6	1627	68,2
1750	2375	21,1	2239	31,8	2134	47,8	2046	63,7	1968	79,6
2000	2741	24,2	2597	36,4	2486	54,6	2392	72,8	2310	91,0
2250	3108	27,2	2955	40,9	2837	61,4	2738	81,9	2651	102,0
2500	3474	30,2	3313	45,5	3189	68,2	3084	91,0	2993	114,0
2750	3840	33,2	3670	50,0	3540	75,1	3431	100,0	3334	125,0
3000	4206	36,30	4028	54,6	3892	81,9	3777	109,0	3675	136,0

NX26 Dimensions

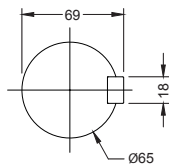
Vertical gears



Horizontal gears





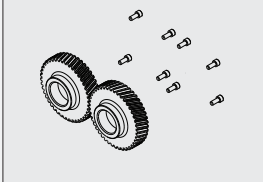


Shaft details



Notes:

1. English units (mm) unless otherwise noted.
2. Weight : 496 kg
3. Do not use for construction

Spare parts

Kit 1 - STANDARD MAINTENANCE KIT	Kit 2 - SET OF RING HOLDERS	Kit 3 - SET OF GEARS	SIGHT GLASS	HIBON LUBE
<p>Contains all parts required for 40000 h. maintenance.</p> 				

For more information about spares and accessories, contact your nearest Service Center or Ingersoll Rand - HiBON company.

Compressed Air Systems and Services
 Hibon Inc
 100 Voyageur Pointe Claire, Quebec
 Canada, H9R 6A8
 Tel: +1 514 631-3501
 Fax: +1 877 584 0307
 www.hibon.com www.ingersollrand.com

Ingersoll Rand (NYSE:IR) advances the quality of life by creating comfortable, sustainable and efficient environments. Our people and our family of brands—including Club Car®, Ingersoll Rand®, Thermo King® and Trane®—work together to enhance the quality and comfort of air in homes and buildings; transport and protect food and perishables; and increase industrial productivity and efficiency. We are a \$13 billion global business committed to a world of sustainable progress and enduring results.

ingersollrandproducts.com - hibon.com
 We are committed to using environmentally conscious print practices

Ingersoll Rand Air Solutions Hibon®
 2 avenue Jean-Paul Sartre, 59290 WASQUEHAL France
 Tel +33 (0) 3 20 45 39 45 (ligne directe)
 Fax +33 (0) 3 20 45 39 20 (Fax Service)
 email: hibon@irco.com

