

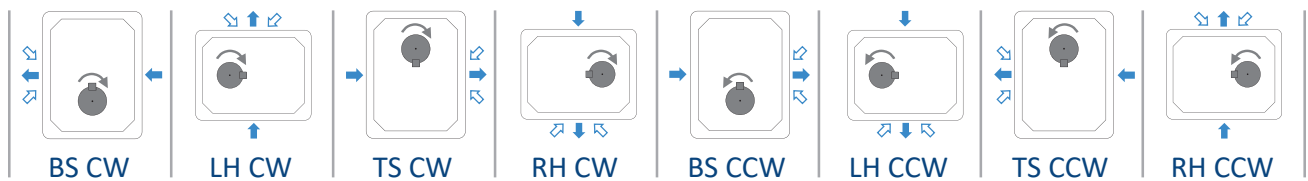
## New 96% Vacuum Air Injection Blower range with the Patented Venturi System providing up to 10 dBa sound reduction without compromising reliability and performance.

Hibon Ingersoll Rand introduces the new 100% oil free **Three-Lobe Positive Displacement VS Series** Blower with patented sound reduction technology along with its incomparable brand **reliability** for the rigorous demands of the **vacuum truck industry** and **industrial** applications. The **VS Series** is engineered to silence the pulsations inside the blower generating a sound wall.

This **new patented technology** includes a **Venturi** for a secondary air injection path into the air chamber while maintaining its advantage of direct air injection to stabilize heat rise.

The result translates **Hibon VS Series** into the **Quietest Blower available**.

### Configurations



### Better by design

## VTB810.VS

Configuration	With feet option	Without feet
BS CW	F0158701111M	F015870111M
LH CW	•	F015870101M
TS CW	F0158701211M	F015870121M
RH CW	•	F015870131M
BS CCW	F0158701101M	F015870110M
LH CCW	•	F015870100M
TS CCW	F0158701201M	F015870120M
RH CCW	•	F015870130M

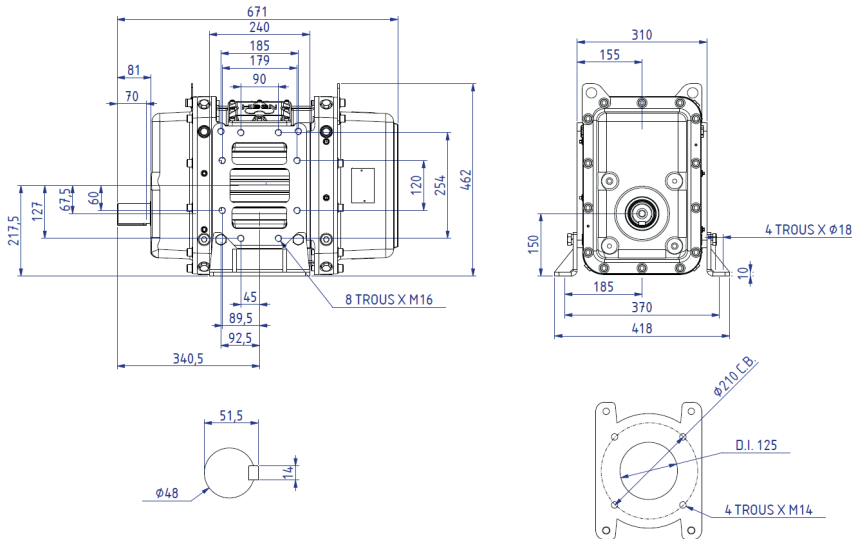
- Shaft rotation
- Air flow
- Air injection
- RH = Right hand shaft
- LH = Left hand shaft
- BS = Bottom shaft
- TS = Top shaft
- CW = Clockwise rotation
- CCW = Counter clockwise rotation

### Performance chart

VOLUME DISPLACEMENT (1901 m³/h)*														
Speed (tr/min)	30% Vacuum		40% Vacuum		50% Vacuum		60% Vacuum		70% Vacuum		80% Vacuum		90% Vacuum	
	RPM	m³/h	kW	m³/h	kW	m³/h	kW	m³/h	kW	m³/h	kW	m³/h	kW	m³/h
2200	973	11	947	14	908	16	855	19	778	22	571	24	164	28
2600	1189	13	1165	16	1130	19	1077	23	1008	26	812	29	392	33
2800	1298	14	1274	18	1241	21	1188	25	1123	28	932	32	506	36
3000	1406	16	1383	19	1352	22	1300	27	1238	31	1052	34	620	39
3200	1514	17	1492	21	1463	24	1411	29	1353	33	1172	37	734	42
3400	1622	18	1601	22	1574	26	1522	31	1468	35	1292	39	848	44
3600	1730	19	1710	24	1685	28	1633	34	1583	38	1412	42	962	47
3800	1839	21	1819	26	1796	30	1744	36	1698	41	1532	45	-	-

\* Volume displacement at maximum speed.

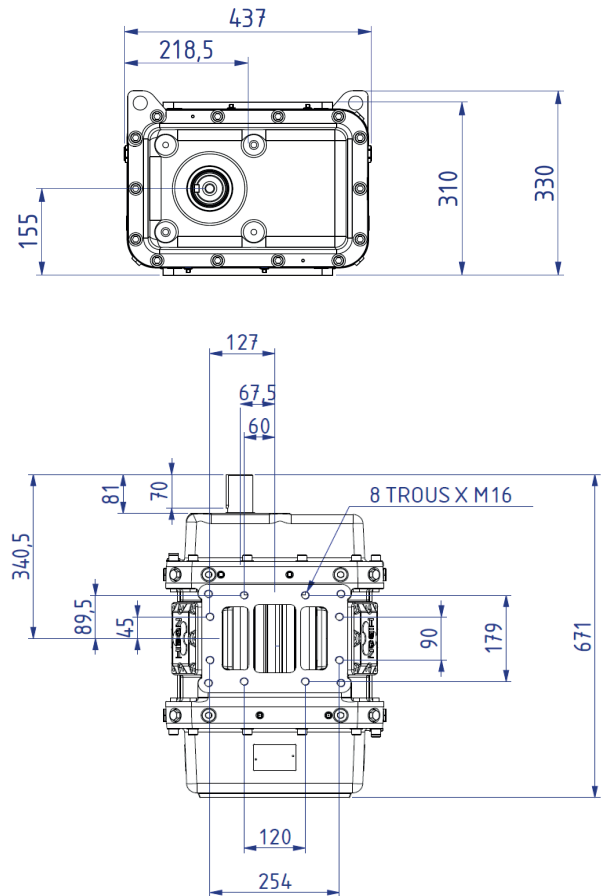
## BS CCW Configuration



### NOTES:

1. ENGLISH UNITS (mm) UNLESS OTHERWISE NOTED.
2. WEIGHT: 219 kg
3. C.W SHAFT ROTATION ALOS AVAILABLE ON REQUEST.
4. DO NOT USE FOR CONSTRUCTION
5. OTHERS CONFIGURATIONS ALSO AVAILABLE ON REQUEST

## LH CCW Configuration



## Spare parts and accessories

KIT 1 - STANDARD MAINTENANCE KIT	KIT 2 - SET OF RING HOLDERS	KIT 3 - SET OF GEARS	MANIFOLD & DISCHARGE/INJECTION MANIFOLD GASKETS	HIBON LUBE
<p>Contains all parts required for 40 000 h. maintenance</p> 				

For more information about spares and accessories, contact your nearest Service Center or Ingersoll Rand - HIBON company.



INGERSOLL RAND AIR SOLUTIONS HIBON®

2 Avenue Jean-Paul Sartre  
59290 WASQUEHAL  
FRANCE

Tel: + 33 (0)3 20 45 39 39  
[www.hibon.com](http://www.hibon.com)  
[www.ingersollrand.com](http://www.ingersollrand.com)

Ingersoll Rand Inc. (NYSE:IR), driven by an entrepreneurial spirit and ownership mindset, is dedicated to helping make life better for our employees, customers and communities. Customers lean on us for our technology-driven excellence in mission-critical flow creation and industrial solutions across 40+ respected brands where our products and services excel in the most complex and harsh conditions. Our employees develop customers for life through their daily commitment to expertise, productivity and efficiency. For more information, visit [www.IRCO.com](http://www.IRCO.com).

©2021 Ingersoll-Rand Company