

Air injection Vacuum Blower VTB 807.xl

Hibon Ingersoll Rand presents new state-of-the-art technology in three-lobe, positive displacement blowers. The VTB XL series air-injected, high-vacuum blowers offer a wide range of design features and incorporate energy efficiency improvements, complying with the strictest operational requirements of a variety of applications. These high-vacuum blowers are ideally suited for the rigorous demand of the vacuum truck market. Hibon is a worldwide leader in three-lobe positive displacement blower technology with thousands of units installed around the globe.

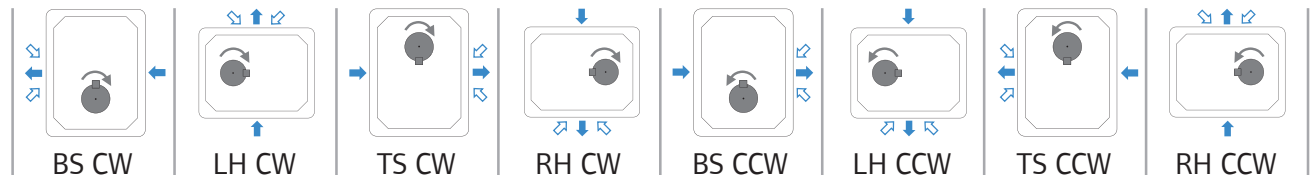
Characteristics

- Three-lobe impeller construction
 - Unique air injection system
 - Increased efficiency
 - Clearances adjusted automatically during assembly
 - Larger oil capacity
 - High volume oil thrower
 - High performance sealing arrangement using 4 piston rings
 - For Europe only, available in ATEX on request
- Ex II 2/2 G/D c, II BT3, 160° C X

Benefits

- Quieter operation than two-lobe impeller construction
- Allows high vacuum including "dead end" operation without overheating
- No oil or water cooling system (100% oil free air)
- Requires less horsepower for the same performance
- Easier maintenance
- Runs cooler
- Better lubrication of bearings
- Less frequent oil changes

Configurations



Better by design

Configuration	With feet option	Without feet option
BS CW	F0146901111	F014690111
LH CW	.	F014690101
TS CW	F0146901211	F014690121
RH CW	.	F014690131
BS CCW	F0146901101	F014690110
LH CCW	.	F014690100
TS CCW	F0146901201	F014690120
RH CCW	.	F014690130

- ↻ Shaft rotation
- ➡ Air flow
- ⇄ Air injection
- RH = Right hand shaft
- LH = Left hand shaft
- BS = Bottom shaft
- TS = Top shaft
- CW = Clockwise rotation
- CCW = Counter clockwise rotation

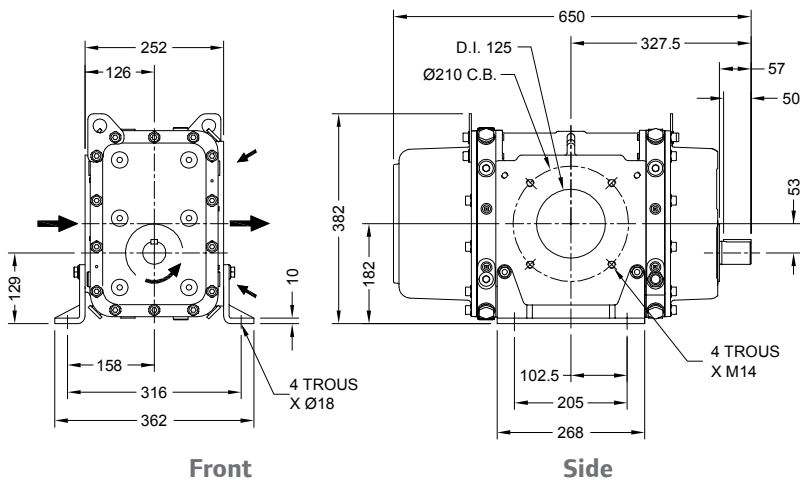
Performance chart

VOLUME DISPLACEMENT (1570 m ³ /h)*																
Speed (tr/min)	30% Vacuum		40% Vacuum		50% Vacuum		60% Vacuum		70% Vacuum		80% Vacuum		87% vacuum		90% Vacuum	
	m ³ /h	kW	m ³ /h	kW	m ³ /h	kW	m ³ /h	kW	m ³ /h	kW	m ³ /h	kW	m ³ /h	kW	m ³ /h	kW
2600	695	8	661	10	598	12	538	15	452	18	177	20	-	-	-	-
2900	787	9	754	12	695	14	635	17	548	20	270	22	-	-	-	-
3200	879	10	848	13	792	16	732	19	643	22	363	25	76	27	-	-
3500	972	12	941	15	889	18	830	21	739	24	456	27	170	30	-	-
3800	1064	13	1034	17	986	20	927	23	834	27	549	30	265	33	-	-
4000	1125	14	1096	18	1051	21	991	25	898	28	611	31	328	35	-	-
4200	1187	15	1159	19	1116	22	1056	26	962	29	673	33	391	37	36	38
4400	1249	16	1221	20	1180	23	1121	27	1026	31	734	35	454	39	107	40
4600	1310	17	1283	21	1245	24	1186	29	1089	32	796	36	518	41	178	42
4800	1372	18	1345	22	1310	26	1250	30	1153	34	858	38	581	43	250	44

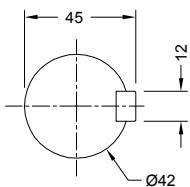
* Volume displacement at maximum speed.

VTB 807.XL Dimensions

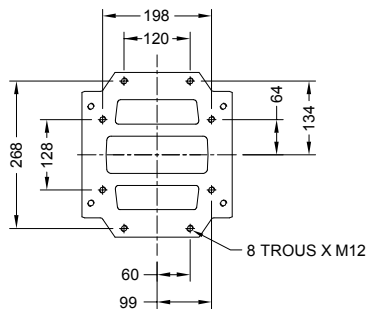
BS CCW Configuration Vertical gears



Shaft details



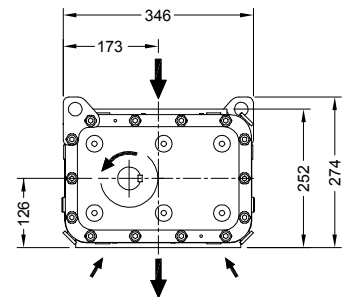
Discharge Flange



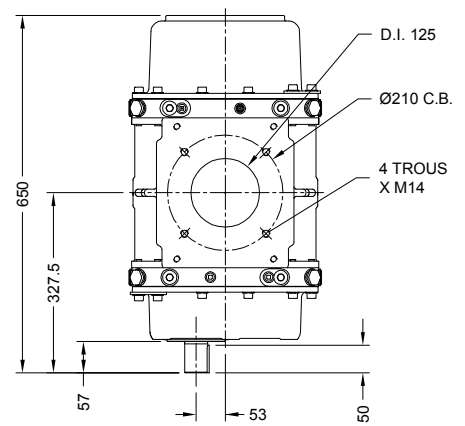
Notes:

1. English units (mm)
2. Weight: 156 Kg
3. Other configurations also available on request.
4. Do not use for construction
5. TROUS = HOLES

LH CCW Configuration Horizontal gears



Front



Top

Spare parts and accessories

Kit 1 - STANDARD MAINTENANCE KIT	Kit 2 - SET OF RING HOLDERS	Kit 3 - SET OF GEARS	MANIFOLD AND DISCHARGE/INJECTION MANIFOLD GASKETS	HIBON LUBE LUBE - 2 liters or 5 liters
Contains all parts required for 40 000 h. maintenance 				

For more information about spares and accessories, contact your nearest Service Center or Ingersoll Rand - HIBON company.

Compressed Air Systems and Services
Hibon Inc
100 Voyageur Pointe Claire, Quebec
Canada, H9R 6A8
Tel: +1 514 631-3501
Fax: +1 877 584 0307
www.hibon.com www.ingersollrand.com

Ingersoll Rand (NYSE:IR) advances the quality of life by creating comfortable, sustainable and efficient environments. Our people and our family of brands—including Club Car®, Ingersoll Rand®, Thermo King® and Trane®—work together to enhance the quality and comfort of air in homes and buildings; transport and protect food and perishables; and increase industrial productivity and efficiency. We are a \$13 billion global business committed to a world of sustainable progress and enduring results.

ingersollrandproducts.com
We are committed to using environmentally conscious print practices

Ingersoll Rand Air Solutions Hibon®
2 avenue Jean-Paul Sartre, 59290 WASQUEHAL France
Tel: +33 (0)3 20 45 39 39
Fax: +33 (0)3 20 45 39 20 (Fax Service)
www.hibon.com www.ingersollrand.com
email : hibon@irco.com



©2017 Ingersoll-Rand Company